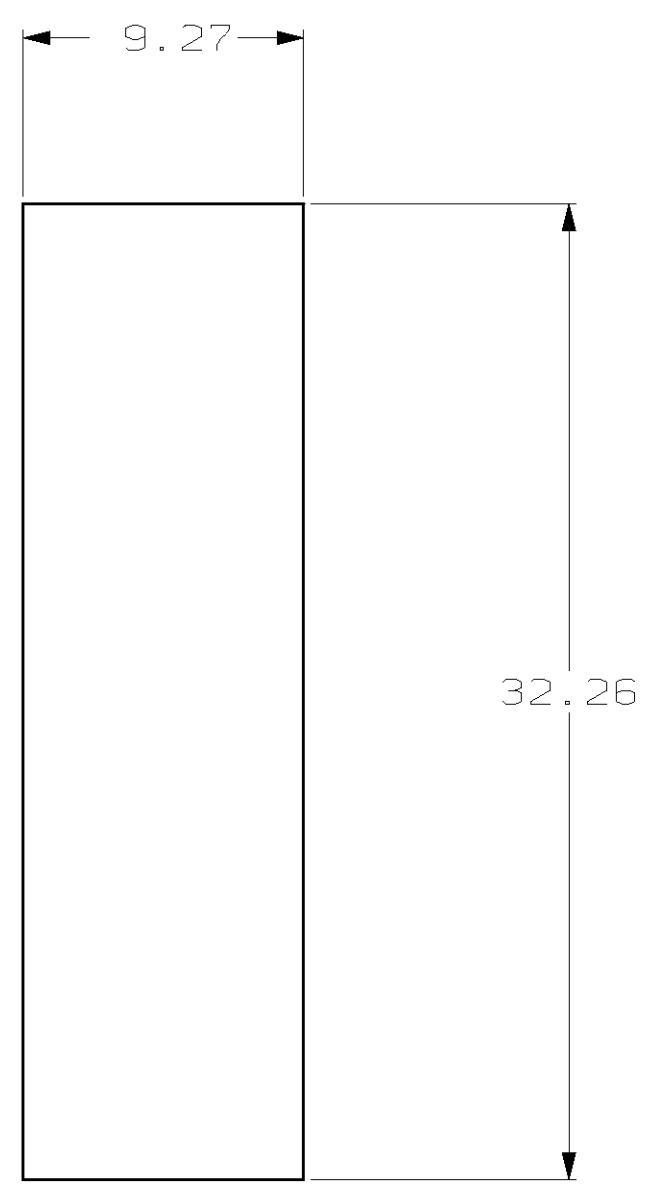
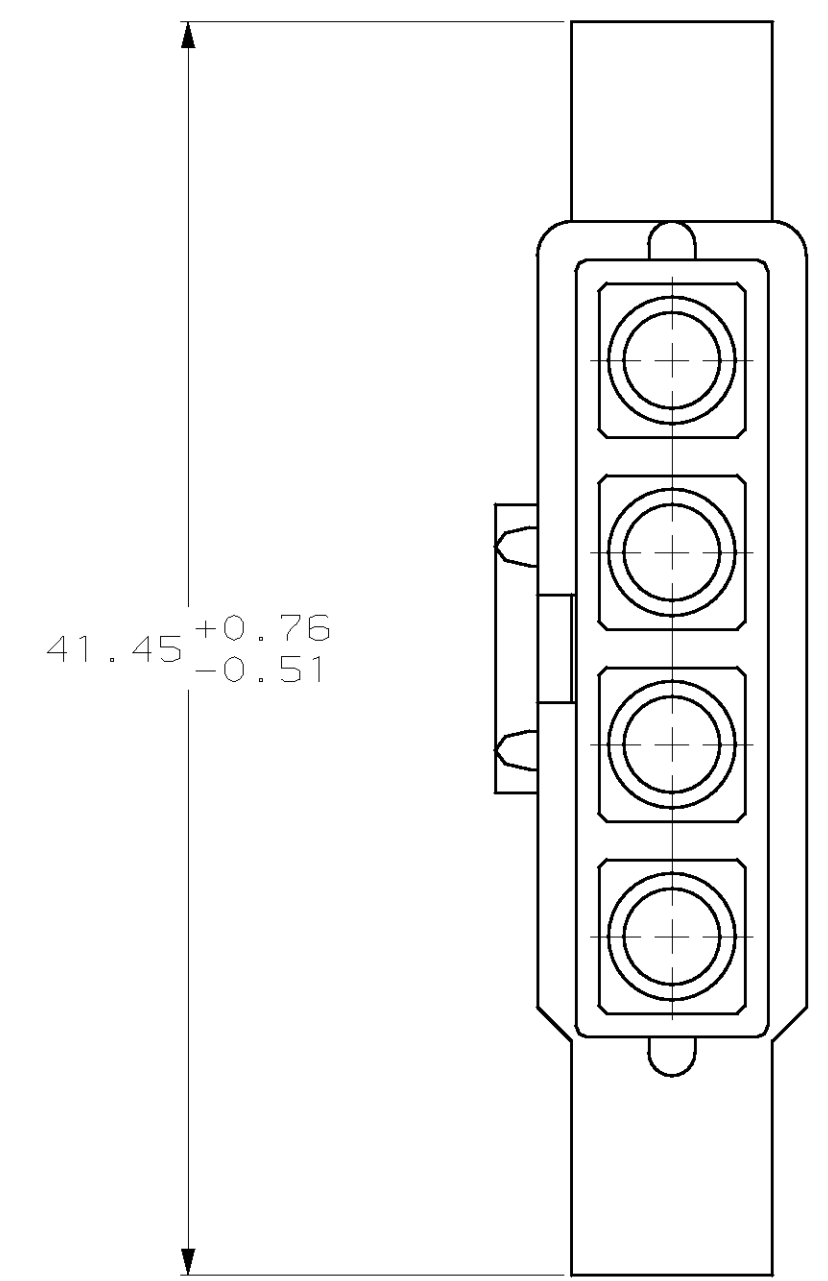
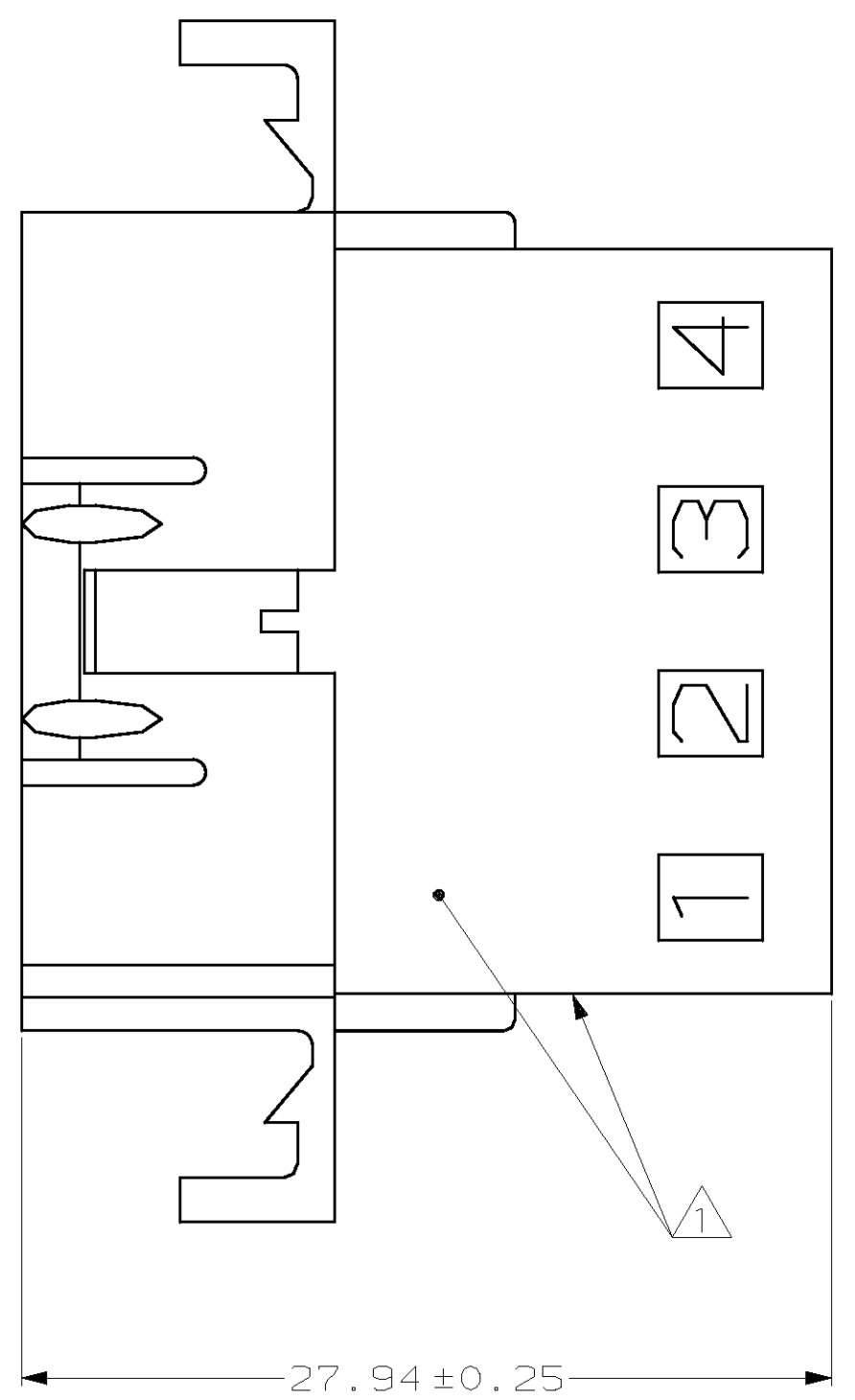
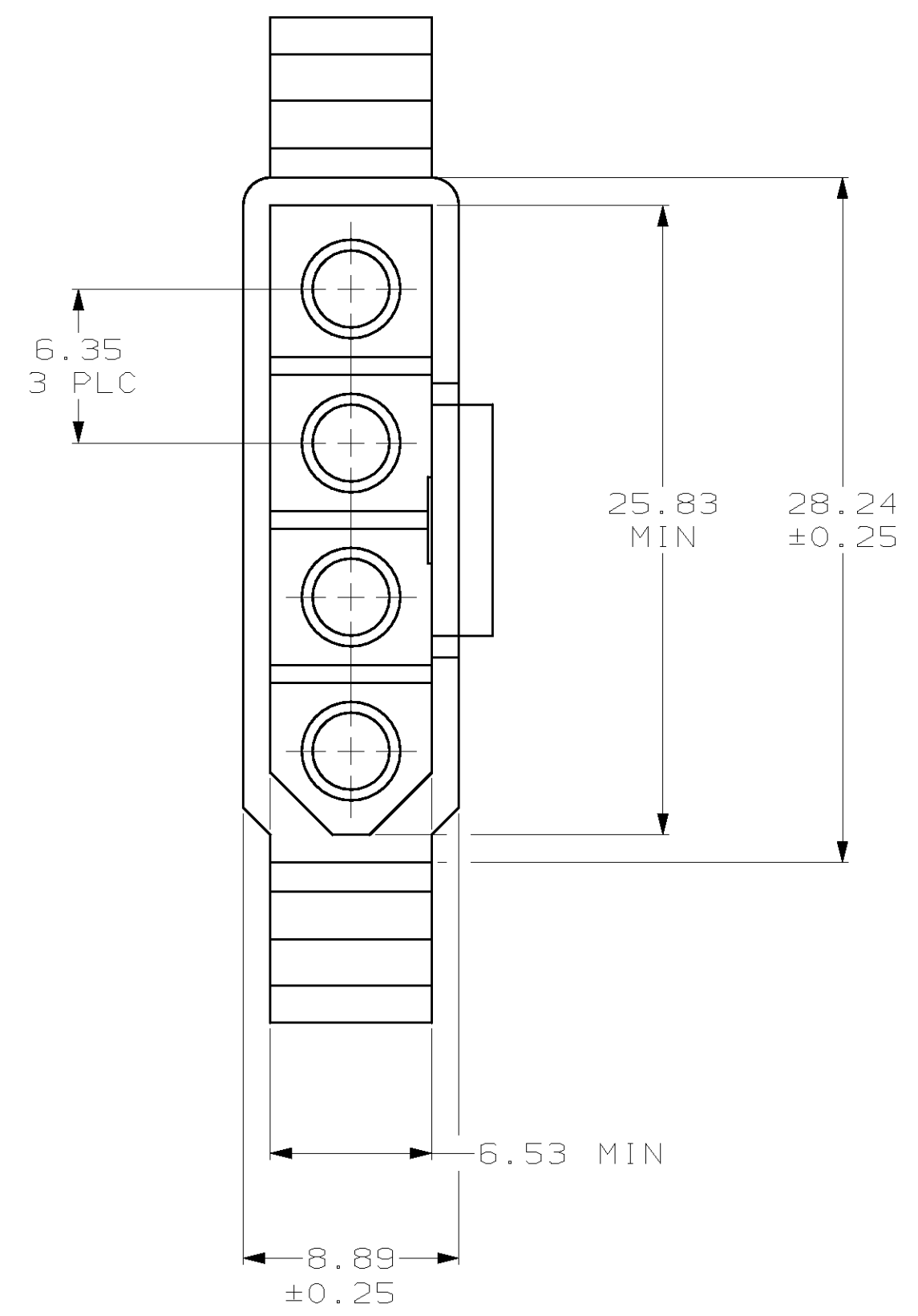
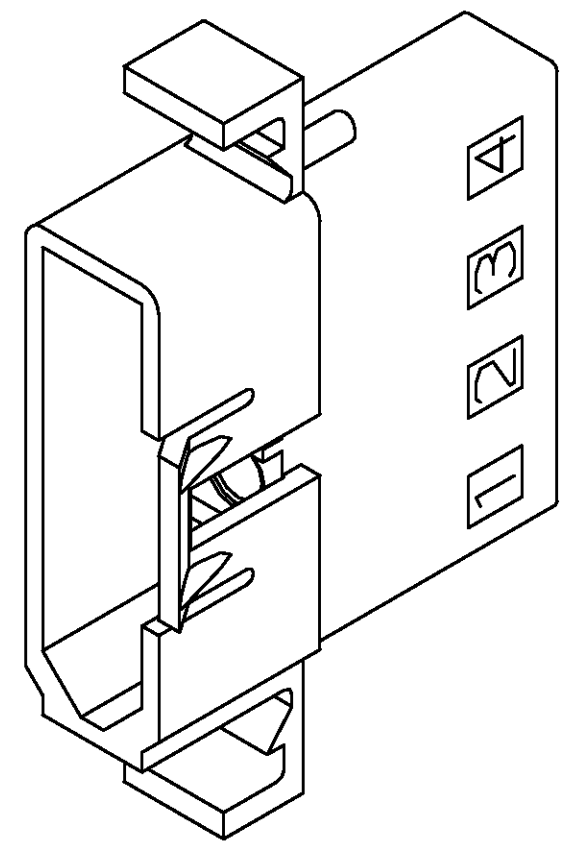


LOC		QTY		REVISIONS			
CM	53	TR	LYR	DESCRIPTION	DATE	OWN	APVD
		D		REV & REDWN PER EC OL30-191-97	10-23-97	KW	RS

AMP LOGO AND CAVITY NUMBERS LOCATED ON EITHER SURFACE, OPPOSITE SIDE OPTIONAL.



RECOMMENDED CUT OUT FOR 1.58 MAX THICK PANEL



3-DIMENSIONAL MODEL NTS

MM	IN	MM	IN
6.53	.257	41.45	1.632
6.35	.250	32.26	1.270
1.58	.062	28.24	1.112
0.76	.030	27.94	1.100
0.51	.020	25.83	1.017
0.25	.010	9.27	.365
0.13	.005	8.89	.350

CONVERSION TABLE

770330-1  
PART NUMBER

**METRIC**

THIS DRAWING IS A CONTROLLED DOCUMENT.

DIMENSIONS:	TOLERANCES UNLESS OTHERWISE SPECIFIED:	OWN: K. WHITAKER 10-23-97	AMP Incorporated Harrisburg, PA 17105-3608
mm	0.13	CHK: R. SWING 10-23-97	
	0.25	APVD: J. COBLE 10-23-97	
	0.51	PRODUCT SPEC:	
	0.76	APPLICATION SPEC:	
	1.58	HEIGHT:	
MATERIAL: NYLON, JL 94V-2, NATURAL	FINISH: -	SCALE: 4:1	SHEET 1 OF 1
CUSTOMER DRAWING		DATE: 10-23-97	REV: D

PLUG, 4 CIRCUIT, .250 PIN AND SOCKET

SIZE: A1 007799 C-770330